

# TWN4 SmartCard holder

## Mounting solution for TWN4 MultiTech SmartCard readers



TWN4 SmartCard holder  
(exemplary illustrations)

The ELATEC product portfolio also contains a wide range of accessories, like wall holders, additional cables or RFID antennas, that are perfectly suited for use with the different ELATEC devices. As part of the accessory portfolio, ELATEC offers different types of holder mounting kits to attach their devices to flat surfaces, like the TWN4 SmartCard holder kit.

The TWN4 SmartCard holder is an efficient solution to fix all RFID desktop readers of the TWN4 MultiTech SmartCard family to a flat surface. It is available in two different colors and can be fixed with either adhesive pads or screws.

### Special features:

- + Compatible with all ELATEC RFID readers of the TWN4 MultiTech SmartCard family
- + Two mounting options (adhesive pads or screws) for more flexibility
- + Screw mounting option preventing further unmounting of the reader
- + Enhanced security thanks to a slot that enables to route the reader cable into the main machine without cable exposure
- + External cable routing methods also available



Elevator



EV Chargers



Access



Shop POS



Fitness  
Equipment



Ticket POS



PC Log-on



Document  
Management



Driver ID



Vending



Parking



Gaming



Locker Locks



Time  
Attendance



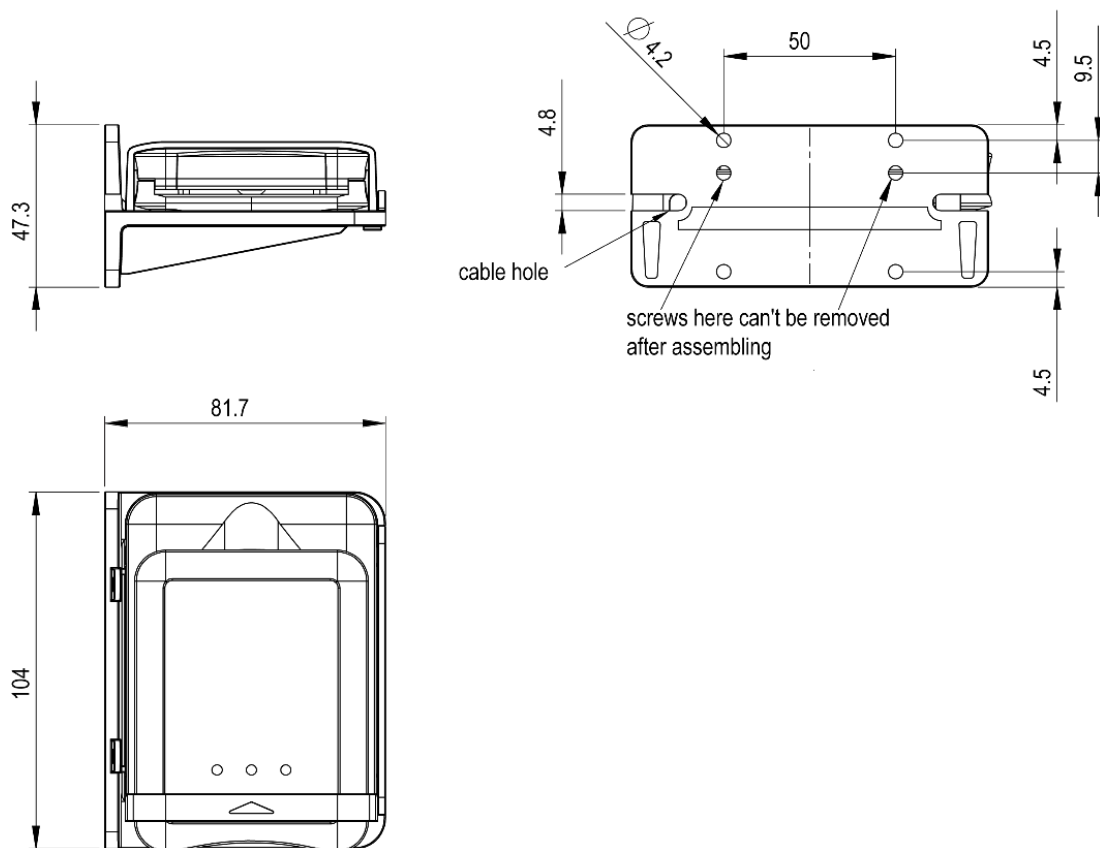
Industrial  
PC

## TECHNICAL DATA

HOLDER	Material: ABS Color: black (RAL9005) or white (RAL9002)	
DIMENSIONS (L X W X H)	Approx. 104.00 x 81.70 x 47.30 mm / 4.09 x 3.22 x 1.86 inch	
WEIGHT	Approx. 58 g / 2.05 oz	
ORDER CODES	HKSD-B	Kit incl. TWN4 SmartCard holder (black) and strong double-sided adhesive pad <sup>1)</sup>
	HKSD-W	Kit incl. TWN4 SmartCard holder (white) and strong double-sided adhesive pad <sup>1)</sup>

<sup>1)</sup>Fixation screws not included

## TECHNICAL DRAWINGS



All measures in mm

### ELATEC GmbH

Zeppelinstr. 1  
82178 Puchheim  
Germany  
P +49 89 552 9961 0  
F +49 89 552 9961 129  
E-Mail: info-rfid@elatec.com  
Website: elatec.com

### ELATEC Systems GmbH

Schwieberdinger Str. 44  
71636 Ludwigsburg  
Germany  
P +49 7141 309736 0  
E-Mail: info-rfid@elatec.com  
Website: elatec.com

### ELATEC Inc.

1995 SW Martin Hwy  
Palm City • FL 34990  
USA  
P +1 772 210 2263  
F +1 772 382 3749  
E-Mail: americas-info@elatec.com  
Website: elatec.com

### ELATEC Technology (Shenzhen) LLC

918, Main Building, Tian An Cyber Times  
Tower, No. 6, Tairan Fourth Road, Tian 'an  
Community, Shatou Neighborhood  
Futian District • Shenzhen • China  
P/F +86 755 2394 6014  
E-Mail: apac-info@elatec.com  
Website: elatec.com

ELATEC reserves the right to change any information or data in this document without prior notice. ELATEC declines all responsibility for the use of this product with any other specification but the one mentioned above. Any additional requirement for a specific customer application has to be validated by the customer themselves at their own responsibility. Where application information is given, it is only advisory and does not form part of the specification. Disclaimer: All names used in this document are registered trademarks of their respective owners.